

IRIZIUM



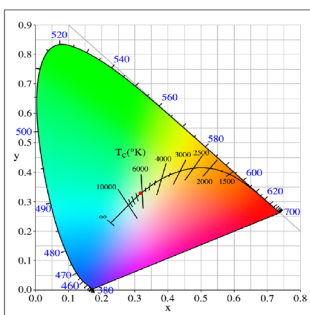
3
YEARS
GARANTÉE

**ECE
R10-04**

**EN
50498**



Power and longevity



Luminous flux of 1022 Lumens

Powerful risk-free lighting

Classified as risk group 0 (no risk) according to the NF EN 62471 standard, our products do not present any photobiological risk. Our LED ceiling lights, with a lighting level of 153 lux for a height of 2.10m and colour rendering that is close to natural daylight, meet all lighting needs, from simple reading of documents to the safe handling of goods. The light improves the operators working conditions by providing almost natural light.



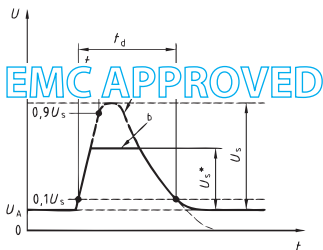
Aluminium housing

Recognised longevity and guarantee

The entire range of Pommier LED ceiling lights are produced with highly resistant low profile aluminium housings which offer a robustness that allows the light to cope with the day to day constraints of the transport industry.

The LED ceiling lights, with their proven longevity and 3-year warranty, provide a perfect solution combined with the reliability and integrity of the product.

IRIZIUM



EMC-EN-50498 approved electronics

The solution to electro-magnetic interference

The range of ceiling lights has been fully approved and comply with the directive and the motor vehicle EMC (Electromagnetic Compatibility) regulation. They have been designed to cope with the on-board electric network of industrial vehicles. Their electronic system, that complies with the EN50498 standard, removes any risk of deterioration related to electromagnetic interference (current peak, overvoltage, etc.) and ensures optimal service life

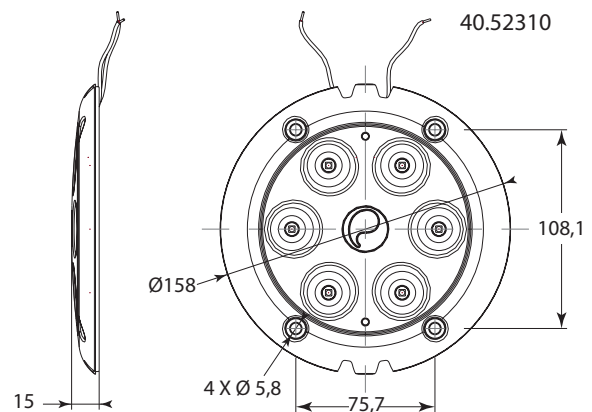
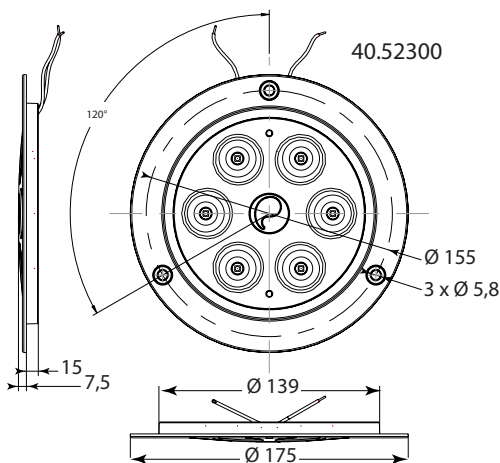


Operates up to -40°C and with 12/24V bi-voltage

Adaptable to all applications

Our LED ceiling lights can operate under dual voltage (12V or 24V) and are IP67 rated and comply with the European Agreement concerning the International Carriage of Dangerous Goods by Road (ADR) These products can be used in many types of applications, including cold storage environments working in temperatures as low as -40°C

DIMENSIONS



CHARACTERISTICS

	Type	Luminous flux	Lighting level	Supply voltage	Intensity	Electrical power	IP rating	Operating temperature	Reference
ar 1000	Flush-mounted	1021 Lumens	153 Lux @ 2,10 m	9 à 36 V DC	0,62 A @ 24 V	14,88 W @ 24 V	67	-40° /+80°C	40.52300
					1,32 A @ 12 V	15,84 W @ 12 V			
ax 1000	Surface-mounted	1021 Lumens	153 Lux @ 2,10 m	9 à 36 V DC	0,62 A @ 24 V	14,88 W @ 24 V	67	-40° /+80°C	40.52310
					1,32 A @ 12 V	15,84 W @ 12 V			

FP 1035 - A - EN - DO NOT LITTER

POMMIER reserves the right to modify the characteristics, equipment and prices of the models shown without prior notice. This documentation does not constitute a contract. All reproduction, even partial, is prohibited.

