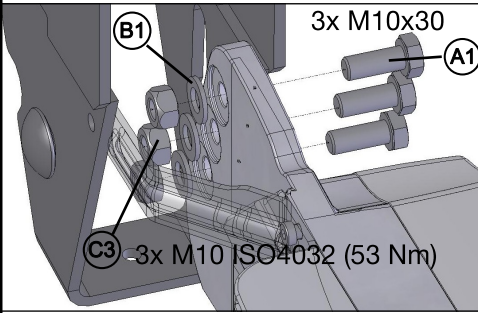
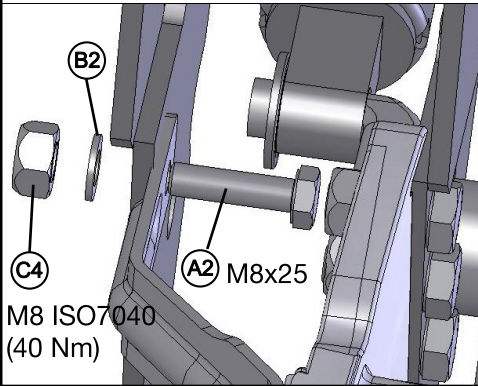


Montering A

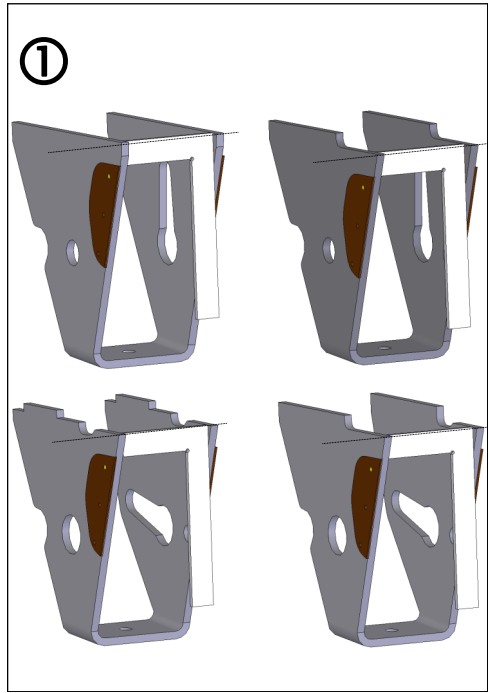
A 1



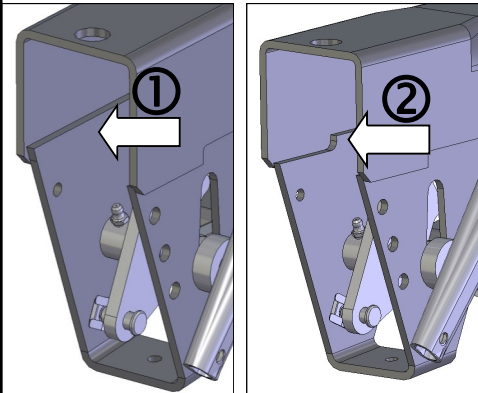
A 2



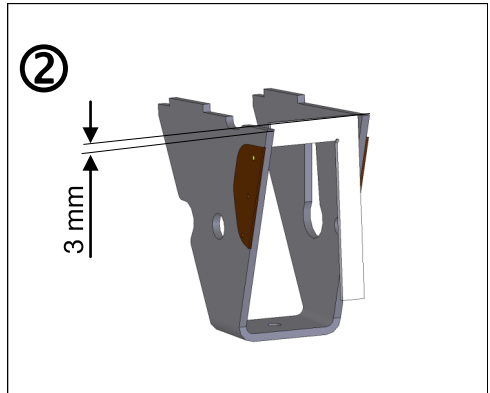
A 4



A 3

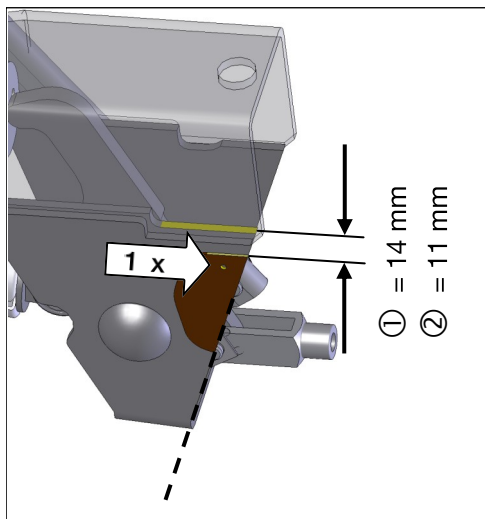


A 5

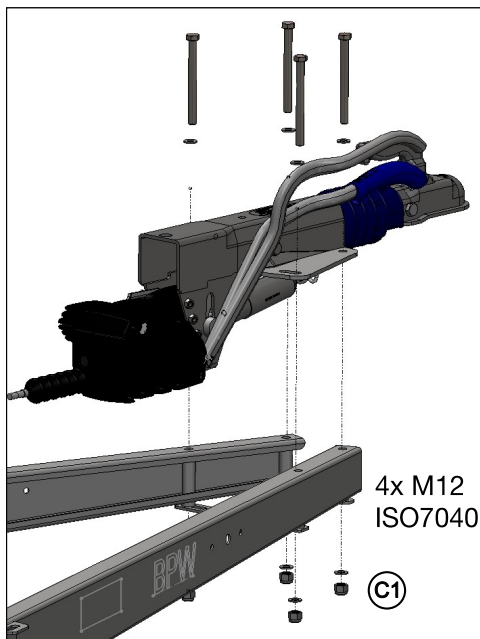


Montering A + B

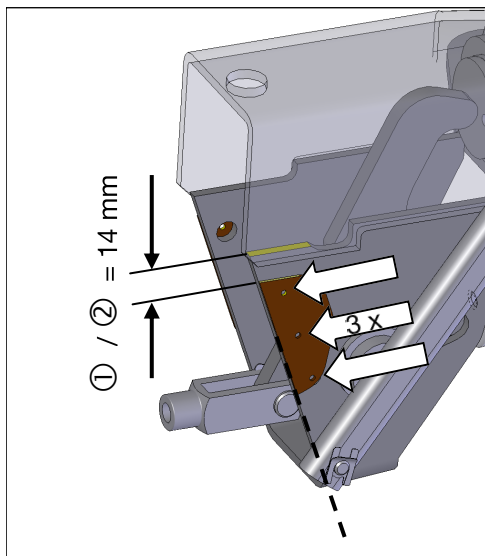
A 6



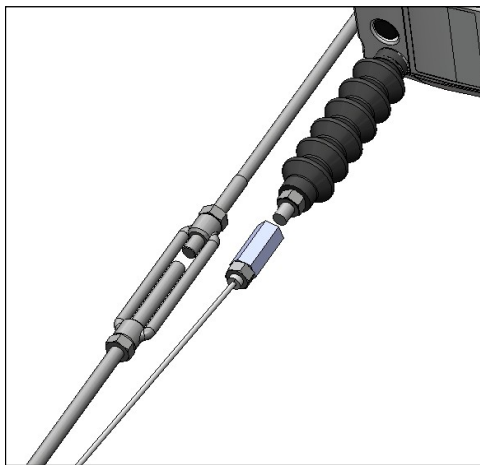
A 8



A 7

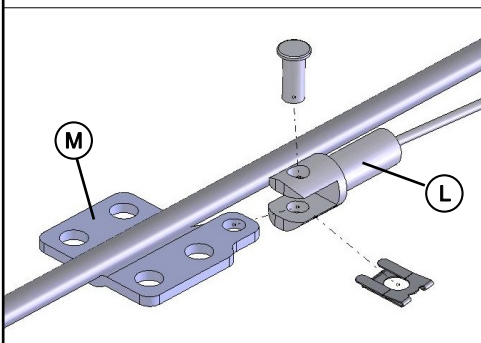


B 1

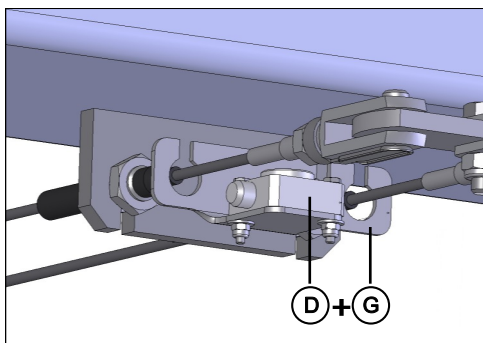


Montering C + D

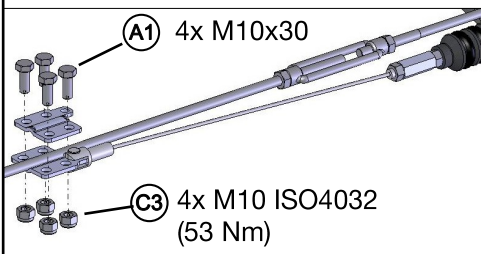
C 1



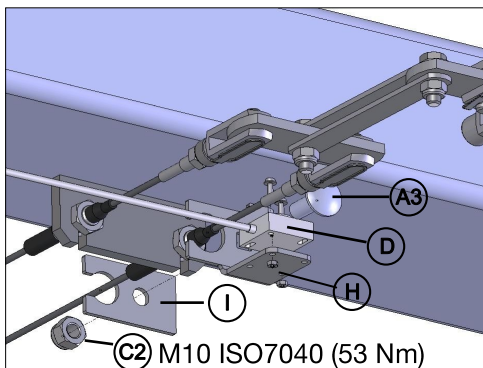
D 1



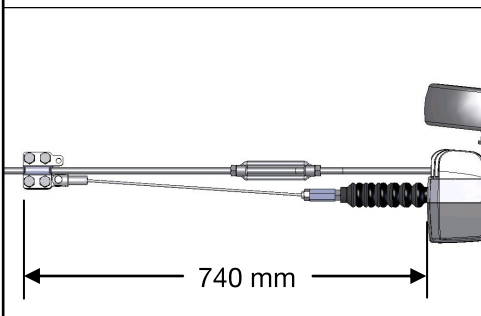
C 2



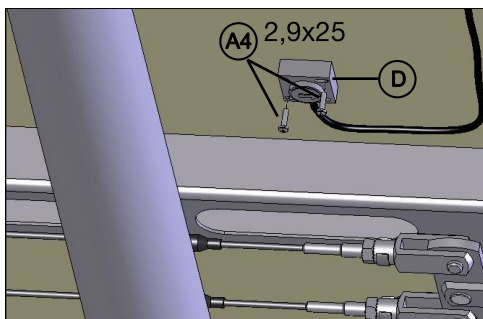
D 2



C 3

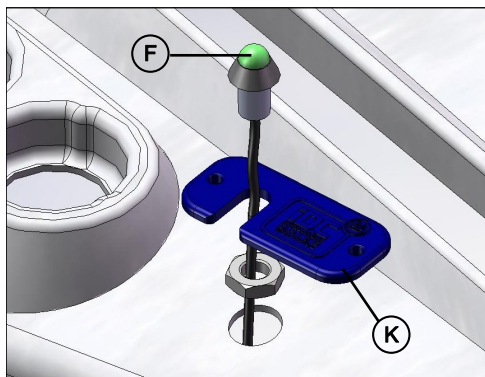


D 3

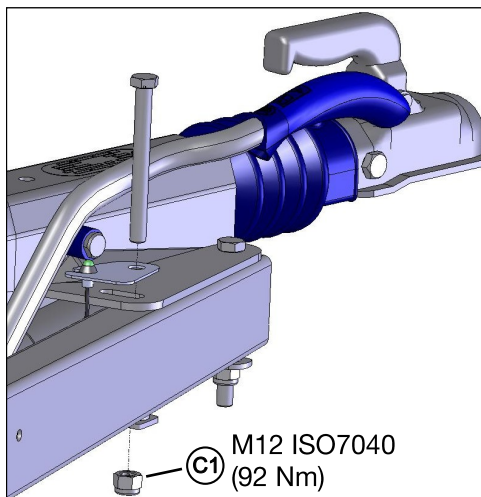


Montering E + F

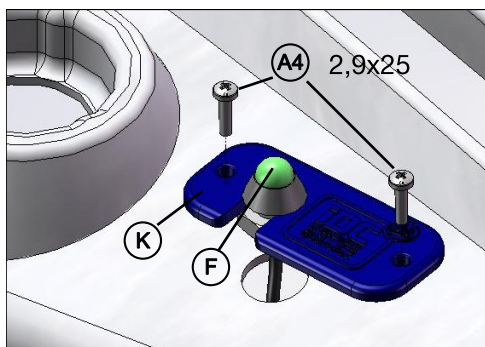
E 1



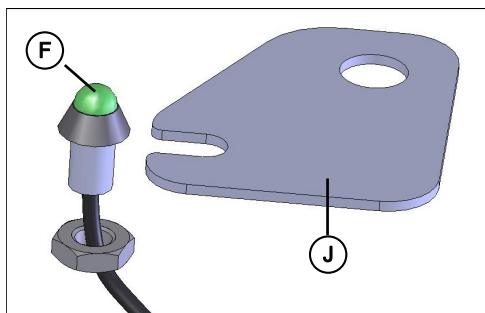
E 4



E 2



E 3



F 1

